



OWNER'S MANUAL

DS-6500 Dispatch Terminal



Preface

Thanks for your favor in our product.

DS-6500 Dispatch Terminal is tailored to work with Hytera SmartDispatch application, to simplify dispatch operation and enhance operational efficiencies in the mission-critical environment. Its compact body facilitates easy installation and maintenance, while the modular design allows for easy addition of accessories based on your actual needs.

To derive optimum performance from your product, please read this manual carefully before use.

This manual is applicable to the following model:

DS-6500 Dispatch Terminal

Copyright Information

Hytera is the trademark or registered trademark of Hytera Communications Co., Ltd. (the Company) in PRC and/or other countries or areas. The Company retains the ownership of its trademarks and product names. All other trademarks and/or product names that may be used in this software are properties of their respective owners.

The product described in this manual may include the Company's computer programs stored in memory or other media. Laws in PRC and/or other countries or areas protect the exclusive rights of the Company with respect to its computer programs. The purchase of this product shall not be deemed to grant, either directly or by implication, any rights to the purchaser regarding the Company's computer programs. Any of the Company's computer programs may not be copied, modified, distributed, decompiled, or reverse-engineered in any manner without the prior written consent of the Company.

Disclaimer

The Company endeavors to achieve the accuracy and completeness of this manual, but no warranty of accuracy or reliability is given. All the specifications and designs are subject to change without notice due to continuous technology development. No part of this manual may be copied, modified, translated, or distributed in any manner without the express written permission of us.

We do not guarantee, for any particular purpose, the accuracy, validity, timeliness, legitimacy or completeness of the Third Party products and contents involved in this manual.

If you have any suggestions or would like to learn more details, please visit our website at:

<http://www.hytera.com>.


Contents

Preface	ii
Documentation Information	1
1. Checking Items in the Package	2
2. Safety Information	2
3. Specification	5
4. Product Overview	6
5. Connection Diagram	9
6. Turning the Product On/Off	9
7. Software	10
8. Care and Cleaning	10
9. Optional Accessories	11

Documentation Information

This section describes the conventions and revision history of this document.

Instructional Icons

Icon	Description
 Caution	Indicates situations that could cause data loss or equipment damage.

Notational Conventions

Convention	Description
Bold	The text in boldface denotes the name of a hardware button. For example, press the PTT key.

Revision History

Version	Release Date	Description
V00	03-2013	Initial release

1. Checking Items in the Package



Please unpack carefully and check that all items listed below are received. If any item is missing or damaged, please contact us.

Item	Qty.
Main Unit	1
AC Power Cord	1
Keyboard	1
Mouse	1
Disc Suite	1

2. Safety Information

To protect you against any bodily injury or property loss, be sure to observe the following instructions:

Service

- Do not attempt to remove the case.
- Do not attempt to service the product by yourself.

Power Cord

- Use only the power cord supplied by Hytera.
- Do not wrap the power cord around the power adapter or other objects. Otherwise, the power cord may become frayed or damaged and thus cause safety hazard.
- Route all power cords properly so that they will not be stepped on, tripped over or pinched by objects.
- Keep the power cord away from sources of liquids, such as water, washbasins, bathtubs and so on.
- Always connect the power cord and signal cable in the correct order, and ensure that the power cord connector is fully plugged into the receptacle.
- Do not use a power cord if it shows signs of corrosion, overheating or other damages.

Plug and Outlet

- The plug and outlet must be grounded securely.
- Do not use any outlet that is already damaged or corroded.
- Do not bend or modify the plug. If the plug is damaged, please contact us for service and repair.

- Do not share the outlet with other high-power household or commercial appliances; otherwise, unstable voltage may damage your data or connected devices.
- Do not overload the outlet. The total system load must not exceed 80% of the branch circuit rating. For more information, please consult an electrician.
- Make sure that the used power outlet is properly wired, easily accessible and close to the product.
- Make sure that the voltage and current from the outlet is suitable for the product.

Disc

If the disc is cracked or physically damaged, it may break apart while spinning in the drive. To reduce the risk of injury or damage to your machine, do as follows:

- Always store the disc in the original packaging.
- Keep the disc away from direct sunlight and heat source.
- Do not bend or distort the disc, or force it into the optical drive or its packaging.
- Check the disc before use. Do not use the cracked or damaged disc.

Current

The current from power and communication cables is hazardous. To avoid the risk of electric shock, do as follows:

- Do not use the product in a thunderstorm.
- Do not connect or disconnect any cables, or perform installation, maintenance or reconfiguration of this product in a thunderstorm.
- Plug the power cord into the properly wired and grounded outlet.
- Connect the equipment that will be attached to the product to the proper power outlet.
- Use only one hand to connect or disconnect the signal cable.
- Do not turn on any equipment when there is a fire or flood.
- Connect cables as stated in the following procedures when you install or move the product.
 1. Turn off all equipment.
 2. Attach all cables to the equipment.
 3. Attach the signal cable to the connector.
 4. Plug the power cord into the power outlet.
 5. Turn on the equipment.

To disconnect the cable, do as follows:

1. Turn off all equipment.

2. Unplug the power cord from the outlet.
3. Remove the signal cable from the connector.
4. Remove all cables from the equipment.

You must first remove the power cord from the power outlet, and then attach other cables to the product.

The power cord may be reconnected to the power outlet only after all other cables have been attached to the product.

Plastic Bag

Keep the plastic bag away from infants and children, to avoid the danger of suffocation.

Data Security

- Do not delete unknown files or change the name of files or directories that is not created by you; otherwise, the software might fail to work.
- Be aware that accessing network resources can leave your computer vulnerable to computer viruses, hackers, spyware and other malicious activities that might damage your computer, software or data.
- Keep your password in mind. If you forget a supervisor or hard disk password, it cannot be reset. In this case, you have to replace the main board or hard disk drive.
- Regularly check the capacity of the hard disk. If the hard disk drive gets too full, the operating system will slow down and fail to work properly.
- Back up the vital data if necessary.

Others

- Leave sufficient space at back of the product for wiring.
- Ensure that the distance between the antenna of the product and that of other equipment is not less than 10 meters.

3. Specification

Dimension(W*H*D)	440*136*228mm (17.3*5.4*11.3 inch)
Processor	Intel (dual-core)
Storage	500GB SATA HDD
Video Port	<ul style="list-style-type: none"> ● One VGA port ● One HDMI port ● One DVI port
I/O Interface	<ul style="list-style-type: none"> ● Two RJ45 ports (10/100/1000Mbps) ● Two RS232 ports ● Six USB ports ● One 3.5mm Mic-in port ● One 3.5mm Line-in port ● One 3.5mm Line-out port ● One PS/2 port ● Two 3.5mm Mic-in or Line-out ports (Dedicated for DS-6500 with multiple dispatch stations)
Antenna Connector	BNC (female)
Power Supply	500W ATX, 90-265V ^{AC} input
Operating System	Windows XP SP3 or later / Windows 7 SP1 or later
Dispatch Station	One built-in dispatch station Two built-in dispatch stations
SmartDispatch Version	Hytera SmartDispatch V3.0 or later
Frequency Range	<ul style="list-style-type: none"> ● VHF (136-174MHz) 50W ● VHF (136-174MHz) 25W ● U1 (400-470MHz) 45W ● U1 (400-470MHz) 25W

	<ul style="list-style-type: none"> ● U3 (350-400MHz) 25W
Channel Capacity	256
Channel Spacing	25kHz/20kHz/12.5kHz
Operating Temperature	0°C to 50°C
Storage Temperature	-20°C to 70°C
Operating Humidity	5 to 95%, non-condensing
ESD	6KV (contact); 8KV (air)
RoHS	Compliant with RoHS standard

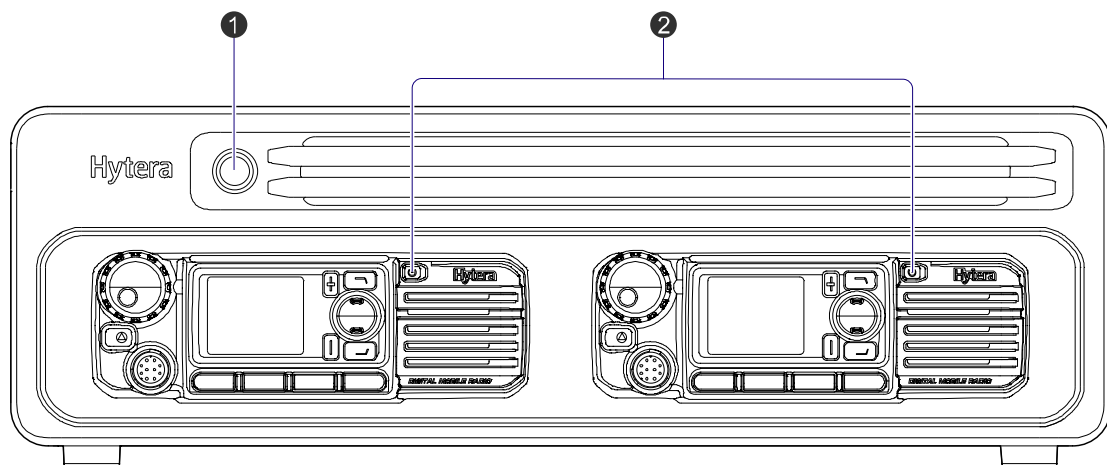
4. Product Overview



All pictures in this manual are for reference only.

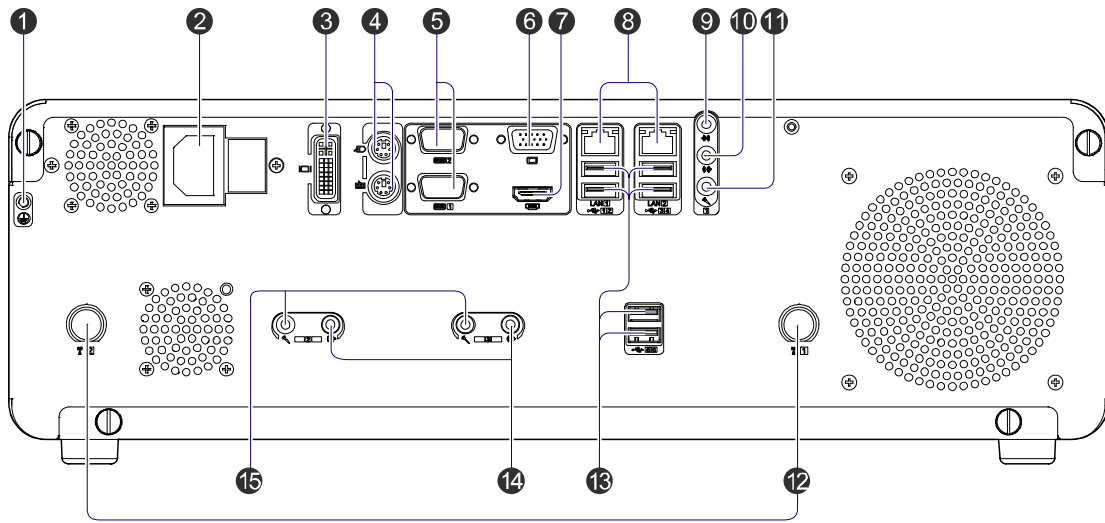
DS-6500 (with two built-in dispatch stations)

Front Panel



No.	Part Name	No.	Part Name
1	Power Button (for main unit)	2	Power Buttons (for dispatch station)

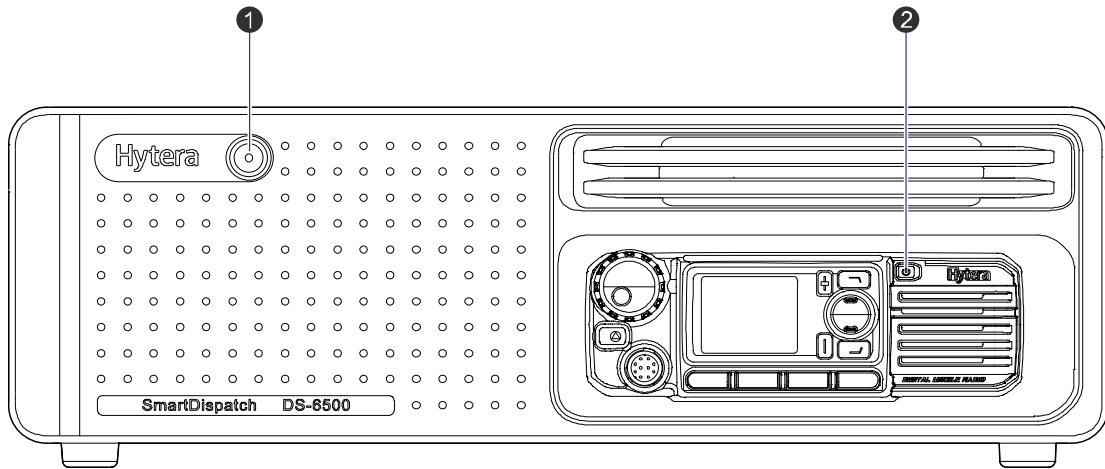
Rear Panel



No.	Part Name	No.	Part Name
1	Ground Terminal	9	Audio Input Port
2	AC Power Port	10	Audio Output Port
3	DVI Port	11	Microphone Port
4	PS/2 Ports	12	Antenna Connector
5	RS232 Ports	13	USB Ports
6	VGA Port	14	Audio Output Ports (for expansion dispatch station)
7	HDMI Port	15	Microphone Ports (for expansion dispatch station)
8	RJ45 Ports	-	-

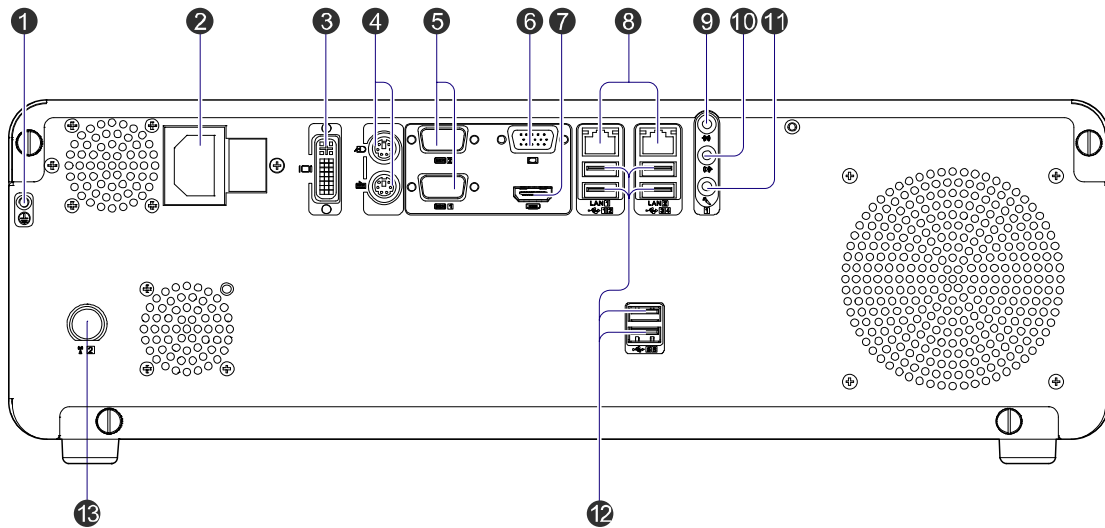
DS-6500 (with one built-in dispatch station)

Front Panel



No.	Part Name	No.	Part Name
1	Power Button (for main unit)	2	Power Button (for dispatch station)

Rear Panel

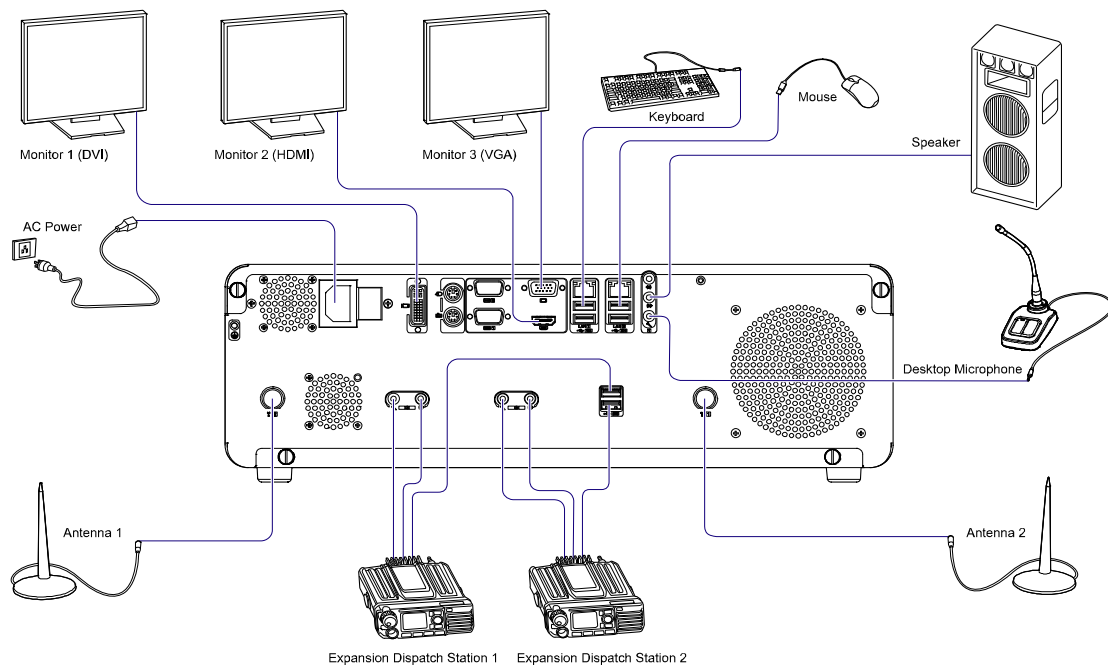


No.	Part Name	No.	Part Name
1	Ground Terminal	8	RJ45 Ports
2	AC Power Port	9	Audio Input Port
3	DVI Port	10	Audio Output Port

No.	Part Name	No.	Part Name
4	PS/2 Ports	11	Microphone Port
5	RS232 Ports	12	USB Ports
6	VGA Port	13	Antenna Connector
7	HDM Port	-	-

5. Connection Diagram

Please refer to the following figure to connect DS-6500 and other devices.



6. Turning the Product On/Off

Turning On the Product

To turn on the main unit, press the **Power Button** and its LED indicator glows green.

In this case, the dispatch station shows power-up screen and sounds power-up alert, and its LED indicator flashes green.

Turning Off the Product

To turn off the main unit, go to the start menu and shut down the operating system.

To turn off the dispatch station only, press the **Power Button**.

7. Software

Caution

For features and operations on the software, please refer to product-specific documentation.

8. Care and Cleaning

To guarantee optimal performance as well as a long service life of the product, please follow the tips below.

Caution

Always disconnect the power before cleaning.

Product Care

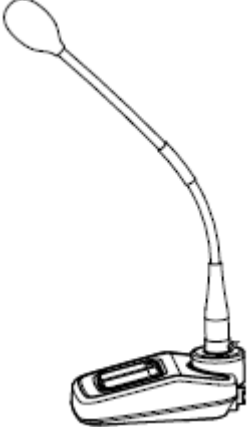
- Attach the accessory jack cover when the accessory is not in use.
- Do not pierce, strike, throw or scrape the product.
- Keep the product far away from substances that can corrode the circuit.
- Keep the product dry.
- Keep the product far away from overheating, which may shorten lifespan of the electronic parts, or even distort or melt the plastic parts.
- Keep the product far away from extreme cold. Otherwise, the circuit board may be damaged by vapor generated when the product is used at normal temperature.

Product Cleaning

- Clean up the dust and fine particles on the product surface and charging piece with a clean and dry lint-free cloth or a brush regularly.
- Clean the keys, control knobs and front case after long-time use. Do not use chemical preparations such as stain removers, alcohol, sprays or oil preparations, so as to avoid surface case damage. Make sure the product is completely dry before use.

9. Optional Accessories

The following items are the main optional accessories for the product, and please consult your local dealer for more other accessories.

Part Name	Product Model
Desktop Microphone	DM01U1
	
Antenna	Subject to your actual needs.
Speaker	
Earpiece	
Microphone	
USB Optical Drive	
Monitor	



is the trademark or registered trademark of Hytera Communications Corp., Ltd.
© 2013 Hytera Corp., Ltd. All Rights Reserved.

Address: HYT Tower, Hi-Tech Industrial Park North, Beihuan
RD., Nanshan District, Shenzhen, China
Postcode: 518057
<http://www.hytera.com>