

Network - Horn Speaker

VIPCOS 550



SERVERLESS

SIP COMPATIBLE

INDIVIDUAL IDENTIFICATION

Serverless network loudspeaker for integration in existing network structures.
Compatible with VIPCOS, Vonamic IP Communication System.

VIPCOS 550

Weatherproof up to IP67

Stainless Steel Bracket

Power over Ethernet (PoE)

Network horn speaker made of high-tensile High-Density-ABS

The VIPCOS 550 horn speaker was designed to withstand the roughest conditions in shipping and heavy industry.

The speakers are made of light, impact-proof and fire-proof ABS. For easy mounting the speakers are fitted with a stainless steel mounting bracket, which can be adjusted with a ratchet. The products have been tested for IP66 and IP67 protection.

It is connected to the network with a standard RJ 45 connection. Power is supplied by PoE.

Serverless acoustic irradiation and voice messages

The VIPCOS 550 is easy to install and therefore does not need additional 100V cabling or control centers.

The network loudspeaker can be addressed individually and can receive audio files directly from the network streamer VIPCOS Blaster. The loudspeaker can also be embedded directly into the Vonamic IP Communication System (VIPCOS). Thus, a fully functional intercom system can be realized with just one loudspeaker and the desk top call station VIPCOS 640.

High flexibility

Depending on the surroundings and the application, the expectations regarding a reliable irradiation and communication system may vary. To this effect, the VIPCOS 550 offers a high flexibility in order to adapt to different requirements. The low power consumption allows for a supply by Power over Ethernet, thus rendering a local power supply



Technical Data

Inputs:	1 x isolated input (optional) 1 x microphone (optional, Elektret and dynamic)
Network:	1 x Ethernet 100 Base-T Auto MDX / MDIX
Operating system:	RTOS (Real Time Operating System) on ARM7-CPU
Memory:	4 MBit ROM, 1 MBit RAM
Computing capacity:	55 MIPS
Protocols:	TCP/IPv4, UDP, ARP, RTP/RTCP, DHCP, ICMP, VIPCOS (serverless), SIP (STUN) standard and serverless, SNMP (optional), HTTP, TFTP
Audio codec1:	PCMA16 mit 44,1kHz, CD-Quality mono
Bitrate:	705 kbps
Audio codec2:	G.711alaw, with 3,4 kHz Telephone quality
Bitrate:	64 kbps
Frequency range:	G.711 alaw, 400 Hz – 3400 Hz (optional µlaw) PCM16, 400Hz – 8000Hz
Operating voltage:	PoE (Power over Ethernet) acc. to IEEE-Standard 802.3af
Power consumption:	15W max.
Temperature range:	-20 up to +55 °C
Software:	Fast Boot function

VIPCOS 550

Weatherproof up to IP67

Stainless Steel Bracket

Power over Ethernet (PoE)

redundant. The characteristics of the VIPCOS 550 can be configured freely meeting your individual requirements, e.g. such as a simple implementation of group memberships and SIP configuration.

Reliability

Unconfined operational readiness is the top priority when using the VIPCOS 550. This is guaranteed by a permanent and logical monitoring program in the serverless units.

Alternatively, the operational safety can be synchronized on the universally recognized network protocol SNMP (Simple Network Management Protocol), thus guaranteeing a reliable system monitoring.

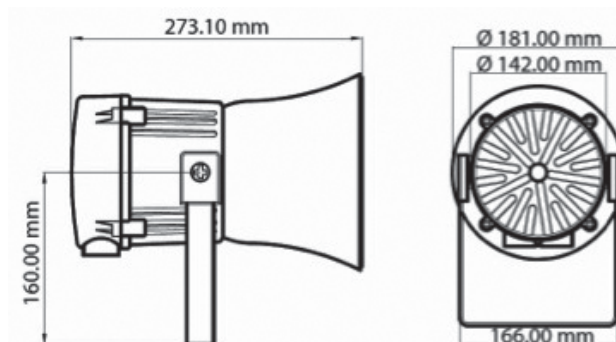
Remote maintenance / Remote configuration

Due to standardized interfaces and protocols communication and configuration will become very easy. Hardware configuration, software updates and changes of the VIPCOS 550 are carried out via a standard web browser like Internet Explorer or Mozilla Firefox. This enables a simple and safe handling.



Technical Data

Accessibility:	Individual telephone number as well as via group memberships
Group management:	Member in up to 8 different paging groups
Group priorities:	4 above and 4 below the priority of single connections
Configuration:	storable and restorable via website
Self-test:	automatic
Safety:	Watchdog function in the operating system
Mechanical data:	Housing dimensions 273 x 181
Material:	High-Density-ABS
Color:	RAL 7038, grey
Weight:	2,3 kg
Protection class:	IP 66/67



VOICE AND DYNAMIC

