

Network Ceiling Loudspeaker

VIPCOS 570



SERVERLESS

SIP COMPATIBLE

INDIVIDUAL IDENTIFICATION

Serverless network loudspeaker for integration in existing network structures.
Compatible with VIPCOS, Vonamic IP Communication System.

VIPCOS 570

Premium Sound Quality

2-Way Bass-Reflex

Power over Ethernet (PoE)

Network ceiling loudspeaker made of high-tensile steel

The VIPCOS 570 bass-reflex ceiling loudspeaker offers premium sound quality for acoustic background irradiation even at medium and low acoustic pressure. The loudspeaker is excellently suitable for a wide variety of applications such as in offices, restaurants, department stores and cafés.

The VIPCOS 570 is easy to install. It is connected to the network with a standard RJ 45 connection. Power is supplied by PoE.

Serverless acoustic irradiation and voice messages

The VIPCOS 570 is easy to install and therefore does not need an additional 100V cabling or control centers. The network loudspeaker can be addressed individually and can emit audio files in CD quality. These files can be fed into the network via the network streamer VIPCOS Blaster.

The loudspeaker can also be embedded directly into the Vonamic IP Communication System (VIPCOS). Thus, a fully functional intercom system can be realized with just one loudspeaker and the desk top call station VIPCOS 640.

High flexibility

Depending on the surroundings and the application, the expectations regarding a reliable irradiation and communication system may vary. To this effect, the VIPCOS 570 offers a high flexibility in order to adapt to the different requirements. The low power consumption allows for a supply by Power over Ethernet, thus rendering a local power supply



Technical Data

Inputs:	1 x isolated input (optional) (optional) 1 x microphone (optional, Elektret and dynamic)
Network:	1 x Ethernet 100 Base-T Auto MDX / MDIX
Operating system:	RTOS (Real Time Operating System) on ARM7-CPU
Storage:	4 MBit ROM, 1 MBit RAM
Computing capacity:	55 MIPS
Protocols:	TCP/IPv4, UDP, ARP, RTP/RTCP, DHCP, ICMP, VIPCOS (serverless), SIP (STUN) Standard and serverless, SNMP (optional), HTTP, TFTP
Audio codec1:	PCMA16 mit 44,1kHz CD-Quality mono
Bitrate:	705 kbps
Audio codec1:	G.711alaw, mit 3,4 kHz, Telephone quality
Bitrate:	64 kbps
Frequency range:	G.711 alaw, 300 Hz – 3400 Hz (optional µlaw) PCM16, 75Hz – 20.000Hz
Operating voltage:	PoE (Power over Ethernet) nach IEEE-Standard 802.3af
Power consumption:	15W max.
Temperature range:	-20 up to +70 °C

VIPCOS 570

Premium Sound Quality

2-Way Bass-Reflex

Power over Ethernet (PoE)

redundant. The characteristics of the VIPCOS 570 can be configured freely meeting individual requirements, e.g. such as simple implementation of group membership and SIP configuration.

Reliability

Unconfined operational readiness is the top priority when using the VIPCOS 570. This is guaranteed by a permanent and logical monitoring program in the serverless units.

Alternatively, the operational safety can be synchronized on the universally recognized network protocol SNMP (Simple Network Management Protocol), thus guaranteeing a reliable system monitoring.

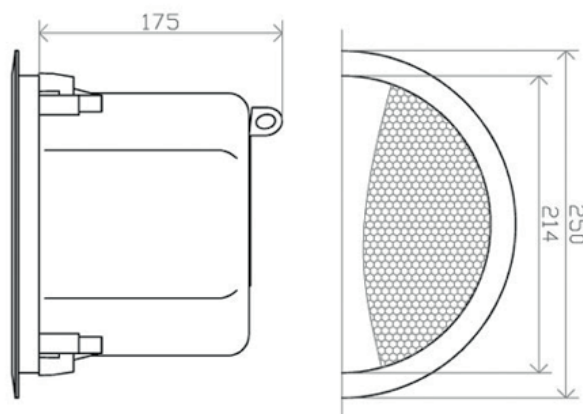
Remote maintenance / Remote configuration

Due to standardized interfaces and protocols communication and configuration will become very easy. Hardware configuration, software updates and changes of the VIPCOS 570 are carried out via a standard web browser like Internet Explorer or Mozilla Firefox. This enables a simple and safe handling.



Technical Data

Software:	Fast Boot function
Accessibility:	Individual telephone number as well as via group memberships
Group management:	Member in up to 8 different paging groups
Group priorities:	4 above and 4 below the priority of single connections
Configuration:	storable and restorable via website
Self-test:	automatic
Safety:	Watchdog function in the operating system
Mechanical Data:	Housing dimensions 175 x 250 mm
Material:	Sheet steel
Color:	pure white (RAL 9010)
Weight:	3,8 kg



VOICE AND DYNAMIC



CONTACT
Vonamic GmbH

Essener Straße 5
D-46047 Oberhausen

T +49(0)208 40 95 890
F +49(0)208 40 95 899

info@vonamic.com
www.vonamic.com